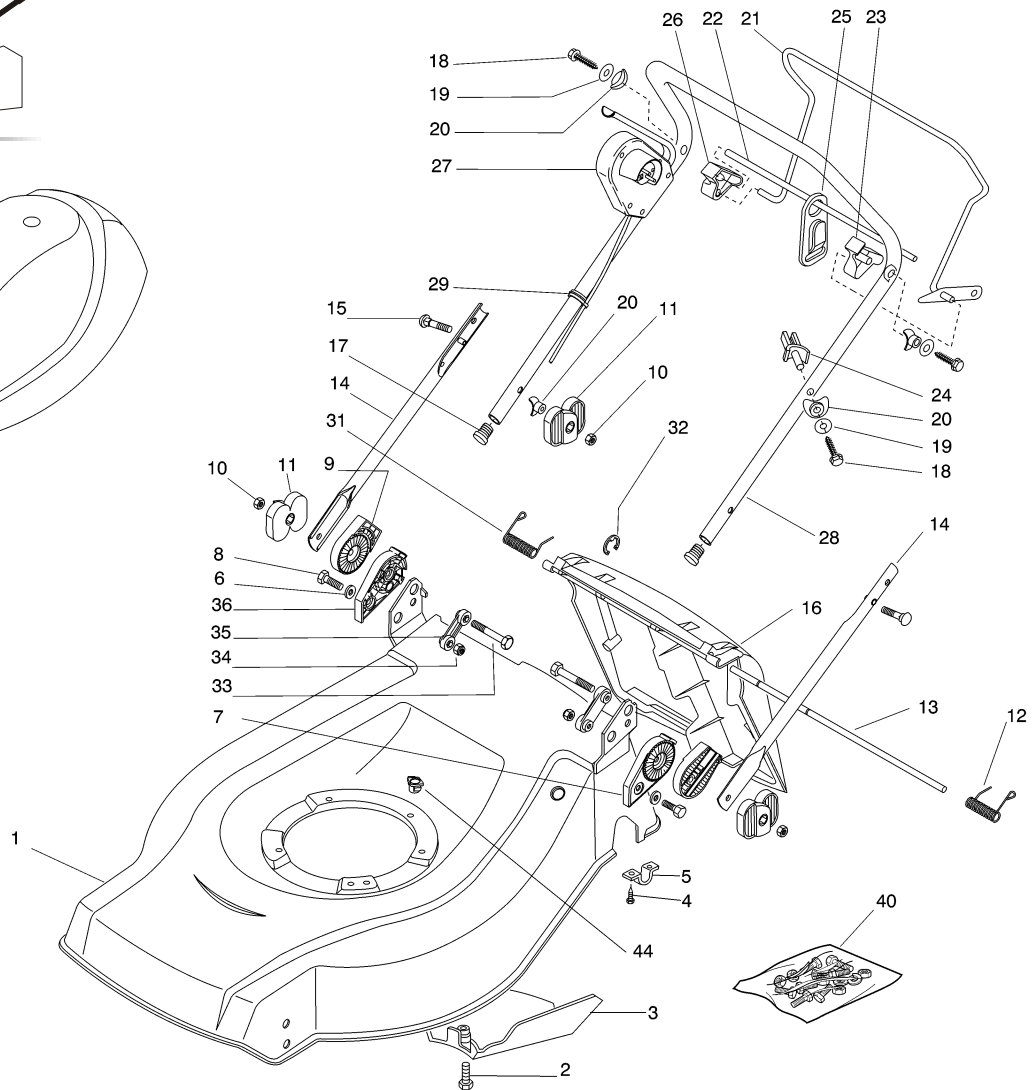
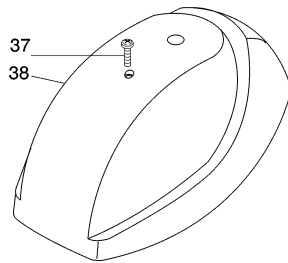


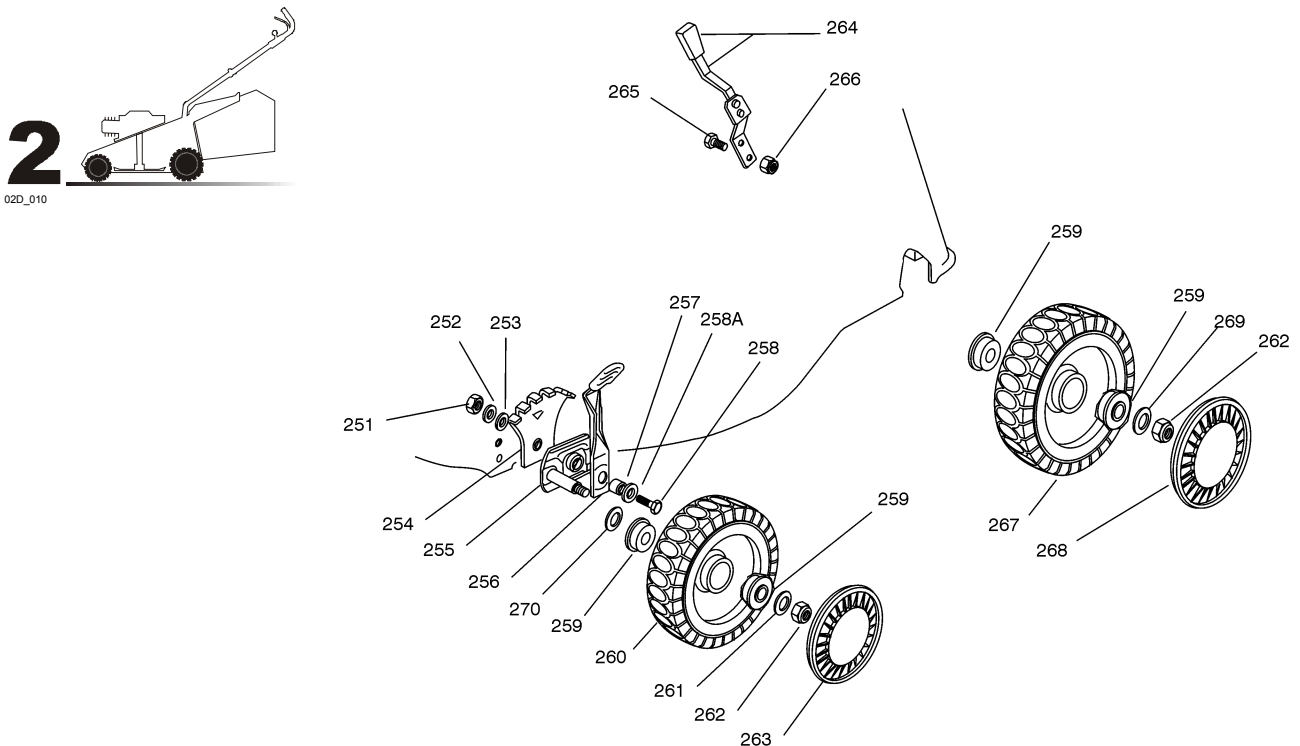
01D\_CA430TR



Pos.	Code	Q.ty	Descrizione	Description	Description	Beshreibung	Remarks
1	81001896/0	1	CHASSIS GIALLO	DECK YELLOW	CHÂSSIS JAUNE	GEHÄUSE GELB	(CA 430 TR)
-	81001895/0	1	CHASSIS ROSSO	DECK RED	CHÂSSIS ROUGE	GEHÄUSE ROT	(CA 430 TR)
-	81001897/0	1	CHASSIS VERDE	DECK GREEN	CHÂSSIS VERT	GEHÄUSE GRÜN	(CA 430 TR)
-	81001801/0	1	CHASSIS GIALLO	DECK YELLOW	CHÂSSIS JAUNE	GEHÄUSE GELB	(CA 480 TR)
-	81001800/1	1	CHASSIS ROSSO	DECK RED	CHÂSSIS ROUGE	GEHÄUSE ROT	(CA 480 TR)
-	81001802/0	1	CHASSIS VERDE	DECK GREEN	CHÂSSIS VERT	GEHÄUSE GRÜN	(CA 480 TR)
2	12727791/0	1	VITE	SCREW	VIS	SCHRAUBE	(CA 430 TR)
-	12728530/0	1	VITE	SCREW	VIS	SCHRAUBE	(CA 480 TR)
3	22060191/1	1	CARTER CINGHIA	PROTECTION, BELT	PROTECTION COURROIRE	SCHUTZ, RIEMEN	(CA 430 TR)
-	22060195/0	1	CARTER CINGHIA	PROTECTION, BELT	PROTECTION COURROIRE	SCHUTZ, RIEMEN	(CA 480 TR)
4	12731350/0	4	VITE	SCREW	VIS	SCHRAUBE	
5	22545152/0	2	PIASTRINA	PLATE	PLAQUETTE	PLÄTTCHEN	
6	12521350/0	2	ROSETTA	WASHER	RONDELLE	SCHEIBE	
7	22785083/1	1	SUPPORTO INTERNO SX	SUPPORT, L INTERNAL	SUPPORT INTERNE G	HALTER, INNERE L	
8	12793701/0	2	VITE	SCREW	VIS	SCHRAUBE	
9	22785081/1	2	SUPPORTO ESTERNO	SUPPORT, EXTERNAL	SUPPORT EXTERNE	HALTER, AUßERE	
10	12293202/0	4	DADO	NUT	ECROU	MUTTER	
11	22399803/0	4	MANOPOLINA	KNOB	POIGNÉE	GRIFF	
12	22450420/1	1	MOLLA SX	L SPRING	RESSORT G	LINKE FEDER	
13	22517906/1	1	PERNO	PIN	PIVOT	BOLZEN	
14	81006531/0	2	MANICO, PARTE INF	HANDLE, LOWER PART	MANCHERON, PARTIE INFERIEURE	HOLM, UNTERTEIL	



Pos.	Code	Q.ty	Descrizione	Description	Description	Beshreibung	Remarks
15	12819125/0	2	VITE	SCREW	VIS	SCHRAUBE	
16	22600063/1	1	PARASASSI	STONE-GUARD	PARE-PIERRES	PRALLBLECH	
17	18566112/0	2	PUNTALE	CAP	BOUCHON	GUMMISTOPFEN	
18	12735103/0	3	VITE	SCREW	VIS	SCHRAUBE	
19	12523040/0	3	ROSETTA	WASHER	RONDELLE	SCHEIBE	
20	22680006/1	3	ROSETTA	WASHER	RONDELLE	SCHEIBE	
21	81001245/1	1	LEVA TRAZIONE	DRIVING LEVER	LEVIER TRACTION	ANTRIEBHEBEL	
22	22020320/0	1	AGGANCI FERMACAVO	FAIRLEAD BEARING	SUPPORT SERRECABE	KABELHALTER	
23	22806519/1	1	SUPPORTO SX	SUPPORT, L	SUPPORT G	HALTER, LINKER	
24	22806520/0	1	SUPPORTO REGISTRO	SUPPORT, ADJUSTER	SUPPORT ECROU REG.	HALTER, REGLER	
25	22195101/3	1	FERMACAVO	FAIRLEAD	FIXATION CABLE	KABELBEFESTIGUNG	
26	22806518/1	1	SUPPORTO DX	SUPPORT, R	SUPPORT D	HALTER, RECHTER	
27	-	1	SALVAMOTORE	DEAD HAND SWITCH	INT. MAIN MORTE	TOT MANSCHALTER	(SEE ENCLOSURE 2)
28	81006604/0	1	MANICO, PARTE SUP	HANDLE, UPPER PART	MANCHERON, PARTIE SUPERIEURE	HOLM, OBERTEIL	
29	22192000/1	3	FASCETTA ANCORAGGIO	ANCHOR CLAMP	COLLIER ANCRAGE	BOWDENZUGHALTER	
30	22680006/1	2	ROSETTA	WASHER	RONDELLE	SCHEIBE	
31	22450410/1	1	MOLLA DX	R SPRING	RESSORT D	RECHTE FEDER	
32	12000930/0	1	ANELLO ELASTICO	SNAP RING	ANNEAU RESSORT	SPRENGRING	
33	12691810/0	2	VITE	SCREW	VIS	SCHRAUBE	
34	12155000/0	2	DADO	NUT	ECROU	MUTTER	
35	22551575/0	2	PIASTRINA INTERNA	PLATE, INSIDE	PLAQUETTE INTERNE	PLATTE, INNERE	
36	22785082/0	1	SUPPORTO INTERNO DX	SUPPORT, R INTERNAL	SUPPORT INTERNE D	HALTER, INNERE R	
37	12728680/0	2	VITE	SCREW	VIS	SCHRAUBE	
38	22055058/0	1	CAPOTTINA	COVER	CAPOT	HAUBE	
39	22291150/0	1	INSERTO IN GOMMA	RUBBER INSERT	INSERT DE GAOUTCHOU	GUMMI EINSATZ	(CA 480 TR)
40	81008632/0	1	DOTAZIONE VITERIA	OUTFIT, SCREWS	DOTATION VISSERIE	SATZ, SCHRAUBEN	

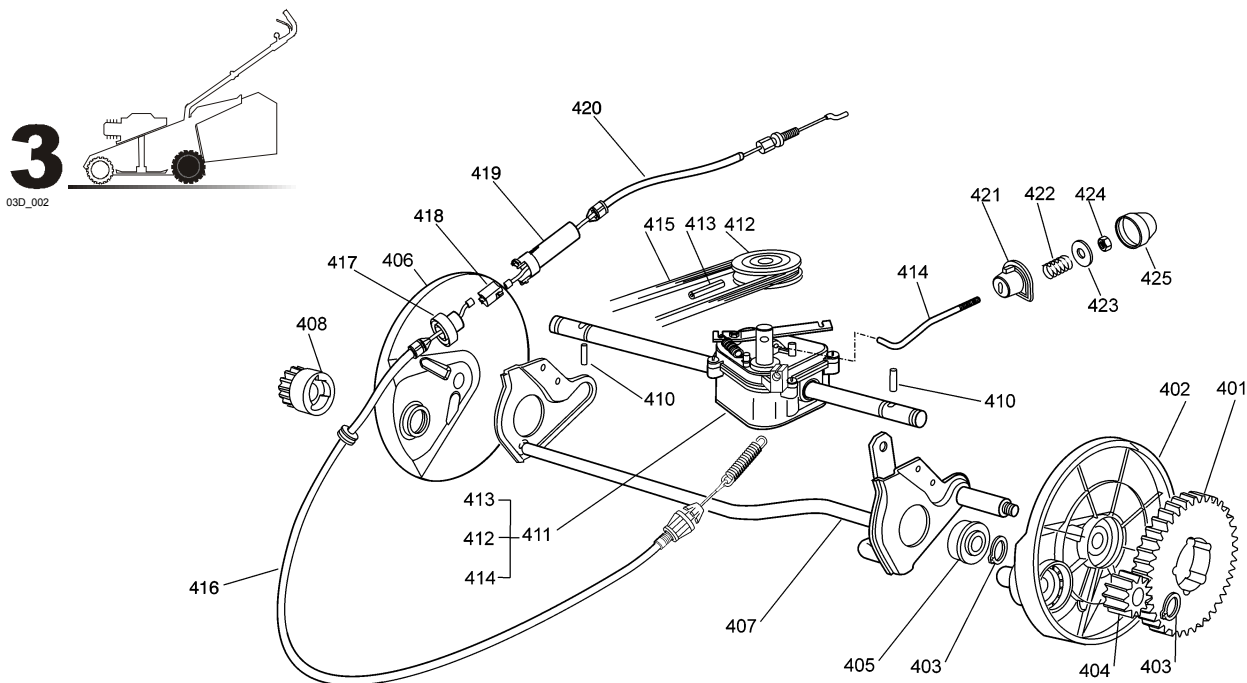


Pos.	Code	Q.ty	Descrizione	Description	Description	Beshreibung	Remarks
251	12293200/0	2	DADO	NUT	ECROU	MUTTER	
252	12583500/0	2	GROWER	GROWER	GROWER	FEDERRING	
253	12523070/0	2	ROSETTA	WASHER	RONDELLE	SCHEIBE	
254	22735547/0	2	SETTORE REGOLAZIONE ALTEZZA	SECTOR, HEIGHT ADJUSTMENT	SECTEUR REGLAGE HAUTEUR	SEKTOR, HÖHEVERSTELLUNG	



## GLOBAL GARDEN PRODUCTS

Pos.	Code	Q.ty	Descrizione	Description	Description	Beshreibung	Remarks
255	81005082/0	2	SUPPORTO RUOTA	SUPPORT, WHEEL	SUPPORT ROUE	HALTER, RAD	
256	81003285/1	2	LEVA REGOLAZIONE ALTEZZA	LEVER, HEIGHT ADJUSTMENT	LEVIER REGLAGE HAUTEUR	HEBEL, HÖNEVERSTELLUNG	
257	22171001/0	2	DISTANZIALE	SPACER	ENTRETOISE	DISTANZRING	
258	12793701/0	2	VITE	SCREW	VIS	SCHRAUBE	
258A	12521350/0	2	ROSETTA	WASHER	RONDELLE	SCHEIBE	
259	22122200/0	8	CUSCINETTO	BEARING	COUSSINET	LAGER	
260	81007336/0	2	RUOTA SCOLPITA Ø 170	WHEEL, KNOBBLY Ø 170	ROUE SCULPTEE Ø 170	RAD M. STOLLENPR. Ø 170	
261	12521350/0	2	ROSETTA	WASHER	RONDELLE	SCHEIBE	
262	12155000/0	4	DADO	NUT	ECROU	MUTTER	
263	22110282/0	2	COPRIMOZZO BIANCO	HUB CAP WHITE	COUVRE-MOYEU BLANC	RADKAPPE WEIßE	
-	22110288/0	2	COPRIMOZZO GIALLO	HUB CAP YELLOW	COUVRE-MOYEU JAUNE	RADKAPPE GELBE	
-	22110290/0	2	COPRIMOZZO ROSSO	HUB CAP RED	COUVRE-MOYEU ROUGE	RADKAPPE ROTE	
264	81003279/2	1	LEVA REGOLAZIONE ALTEZZA	LEVER, HEIGHT ADJUSTMENT	LEVIER REGLAGE HAUTEUR	HEBEL, HÖNEVERSTELLUNG	
265	12789000/0	2	VITE	SCREW	VIS	SCHRAUBE	
266	12154330/0	2	DADO	NUT	ECROU	MUTTER	
267	81007337/0	2	RUOTA SCOLPITA Ø 210	WHEEL, KNOBBLY Ø 210	ROUE SCULPTEE Ø 210	RAD M. STOLLENPR. Ø 210	
268	22110281/0	2	COPRIMOZZO BIANCO	HUB CAP WHITE	COUVRE-MOYEU BLANC	RADKAPPE WEIßE	
-	22110287/0	2	COPRIMOZZO GIALLO	HUB CAP YELLOW	COUVRE-MOYEU JAUNE	RADKAPPE GELBE	
-	22110289/0	2	COPRIMOZZO ROSSO	HUB CAP RED	COUVRE-MOYEU ROUGE	RADKAPPE ROTE	
269	12369500/0	2	DISCO ELASTICO	ELASTIC WASHER	DISQUE ELASTIQUE	FEDERSCHEIBE	
270	12530150/0	2	ROSETTA ELASTICA	SPRING WASHER	RONDELLE ELASTIQUE	ELASTISCHE SCHEIBE	



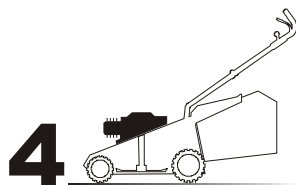
416	FRANCE REDUCTEURS	416	BI. CI. DI.

Pos.	Code	Q.ty	Descrizione	Description	Description	Beshreibung	Remarks
401	22120105/1	2	CORONA	RING GEAR	COURONNE	KRANZ	
402	22600093/0	1	PROT. RUOTE SX	PROTECTION, L WHEEL	PROTECTION ROUE G	SCHÜTZ, LINKES RÄDER	
403	12608600/0	4	SEEGER	SEEGER	SEEGER	SEEGER	
404	22570120/1	1	PIGNONE SX	PINION L	PIGNON G	RITZEL LINKES	

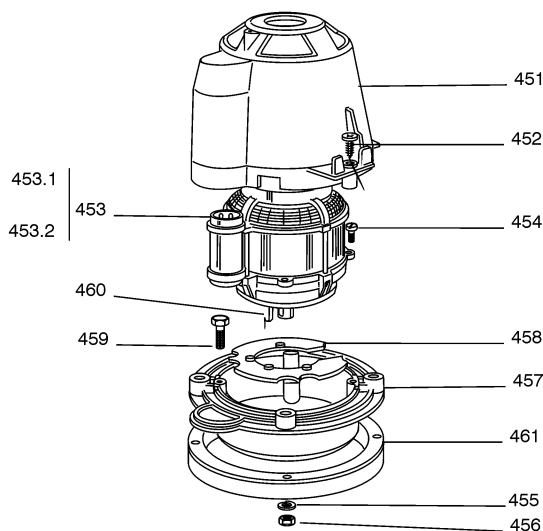


## GLOBAL GARDEN PRODUCTS

Pos.	Code	Q.ty	Descrizione	Description	Description	Beshreibung	Remarks
405	19216035/0	2	CUSCINETTO	BEARING	COUSSINET	LAGER	
406	22600092/0	1	PROT. RUOTE DX	PROTECTION, R WHEEL	PROTECTION ROUE D	SCHÜTZ, RECHTES RÄDER	
407	81000147/0	1	ASSE RUOTE POSTERIORE	AXLE, REAR WHEELS	AXE ROUES ARRIERE	ACHSE, HINTERRAD	
408	22570110/1	1	PIGNONE DX	PINION R	PIGNON D	RITZEL RECHTES	
410	22753000/0	2	SPINA	PIN	GOUPILLE	STIFT	
411	81003081/1	1	GRUPPO TRAZIONE (GRIGIO)	GEAR BOX (GREY)	GROUPE TRACTION (GRIS)	ANTRIEB (GRAU)	(BI. CI. DI.)
-	81003076/0	1	GRUPPO TRAZIONE	GEAR BOX	GROUPE TRACTION	ANTRIEB	(FRANCE REDUCTEURS)
412	22601904/0	1	PULEGGIA	PULLEY	POULIE	RIEMENSCHLEIBE	
413	12645705/0	1	SPINA	PIN	GOUPILLE	STIFT	
414	22033280/0	1	ASTA REGOLAZIONE	ADJUSTMENT ROD	TIGE REGLAGE	VERSTELLUNGSTANGE	(BI. CI. DI.)
-	22033283/0	1	ASTA REGOLAZIONE	ADJUSTMENT ROD	TIGE REGLAGE	VERSTELLUNGSTANGE	(FRANCE REDUCTEURS)
415	35063710/0	1	CINGHIA Z 25	BELT Z 25	COURROIE Z 25	RIEMEN Z 25	(CA 430 TR)
-	35063800/0	1	CINGHIA Z 27	BELT Z 27	COURROIE Z 27	RIEMEN Z 27	(CA 480 TR)
416	81000676/0	1	CAVO COMANDO TRAZIONE INF	CABLE, REAR DRIVE LOWER	CÂBLE, COMMANDE TRACTION INFERIEURE	KABEL, ANTRIEB UNTER	(BI. CI. DI.)
-	81000671/0	1	CAVO COMANDO TRAZIONE INF	CABLE, REAR DRIVE LOWER	CÂBLE, COMMANDE TRACTION INFERIEURE	KABEL, ANTRIEB UNTER	(FRANCE REDUCTEURS)
417	22246031/0	1	GIUNZIONE INF	LOWER JOINT	CONNECTION INF	VERBINDUNG OBEN	
418	22042040/0	1	BUSSOLA ISOLAMENTO	ISOLATION COMPASS	BOUSSOLE DE ISOLEMENT	ABSONDERUNG KOMPAS	
419	22246030/0	1	GIUNZIONE SUP	UPPER JOINT	CONNECTION SUP	VERBINDUNG UNTER	
420	81001150/0	1	CAVO COMANDO TRAZIONE SUP	CABLE, REAR DRIVE UPPER	CÂBLE, COMMANDE TRACTION SUPERIEURE	KABEL, ANTRIEB OBER	
421	22041957/1	1	BUSSOLA	BUSH	DOUILLE	BUCHSE	
422	22450063/0	1	MOLLA	SPRING	RESSORT	FEDER	
423	22680009/0	1	ROSETTA	WASHER	RONDELLE	SCHEIBE	
424	12154510/0	1	DADO	NUT	ECROU	MUTTER	
425	22110230/0	1	TAPPO	CAP	BOUCHON	GUMMISTOPFEN	



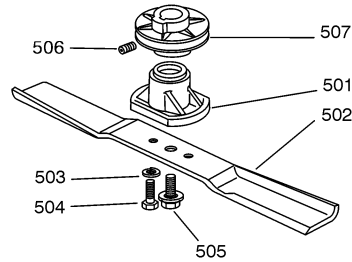
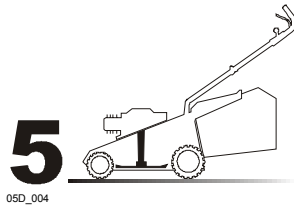
04D\_002



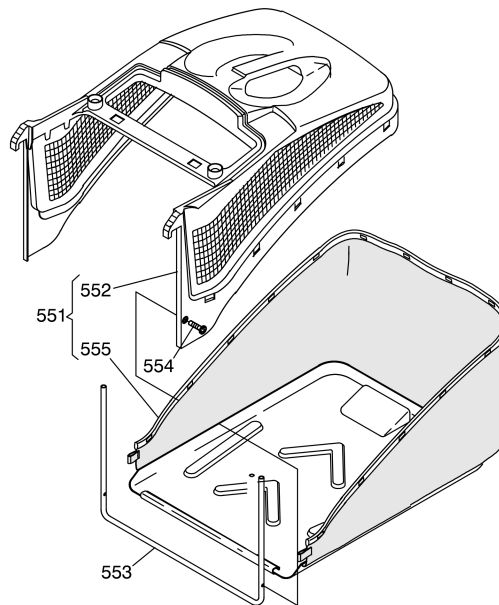
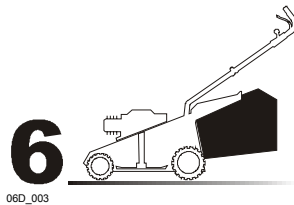
Pos.	Code	Q.ty	Descrizione	Description	Description	Beshreibung	Remarks
451	22785061/0	1	SUPPORTO CAPOTTINA	SUPPORT, COVER	SUPPORT CAPOT	HALTER, HAUBE	
452	12728710/0	4	VITE	SCREW	VIS	SCHRAUBE	
453	18563012/0	1	MOTORE RST	MOTOR RST	MOTEUR RST	MOTOR RST	230V (1600W)
453.1	18740051/0	1	VENTOLA PER MOTORE RST	FAN MOTOR RST	VENTILATEUR MOTEUR RST	LÜFTER MOTOR RST	
453.2	18222038/0	1	CONDENSATORE 20 µF	CONDENSER 20 µF	CONDENSEUR 20 µF	KONDENSATOR 20 µF	
454	12735410/0	4	VITE	SCREW	VIS	SCHRAUBE	
455	12583500/0	4	GROWER	GROWER	GROWER	FEDERRING	
456	12293200/0	4	DADO	NUT	ECROU	MUTTER	
457	22207211/3	1	FLANGIA	FLANGE	BRIDE	FLANSCH	
458	22720360/1	1	SCHERMO VENTILAZIONE	VENTILATION SCREEN	ECRAN VENTILATION	LÜFTUNGSSCHIRM	
459	12691800/0	4	VITE	SCREW	VIS	SCHRAUBE	

## GLOBAL GARDEN PRODUCTS

Pos.	Code	Q.ty	Descrizione	Description	Description	Beshreibung	Remarks
460	12139440/0	1	LINGUETTA	FEATHER	CLAVETTE	KEIL	
461	22170960/0	1	DISTANZIALE	SPACER	ENTRETOISE	DISTANZRING	



Pos.	Code	Q.ty	Descrizione	Description	Description	Beshreibung	Remarks
501	22463186/2	1	MOZZO	HUB	MOYEU	HALTER	
502	81004396/0	1	COLTELLO ALETTATO	BLADE WINGED	LAME AILETTÉE	MESSER FLÜGEL	(41 cm)
-	81004341/3	1	COLTELLO STANDARD	BLADE STANDARD	LAME STANDARD	MESSER STANDARD	(41 cm)
-	81004397/0	1	COLTELLO ALETTATO	BLADE WINGED	LAME AILETTÉE	MESSER FLÜGEL	(46 cm)
-	81004346/3	1	COLTELLO STANDARD	BLADE STANDARD	LAME STANDARD	MESSER STANDARD	(46 cm)
503	12583500/0	2	GROWER	GROWER	GROWER	FEDERRING	
504	12793101/0	2	VITE	SCREW	VIS	SCHRAUBE	
505	81004352/0	1	VITE	SCREW	VIS	SCHRAUBE	
506	12713801/0	1	GRANO	DOWEL	GRAIN	STIFT	
507	22601911/0	1	PULEGGIA	PULLEY	POULIE	RIEMENSCHIEBE	



Pos.	Code	Q.ty	Descrizione	Description	Description	Beshreibung	Remarks
551	91000010/1	1	SACCO, COMPLETO	GRASSCATCHER, COMPLETE	SAC, COMPLETE	SACK, KOMPLETTE	
552	22486093/0	1	SACCO, PARTE SUP	GRASS-BOX, UPPER PART	SAC, PARTIE SUPERIEURE	KORB, OBERTEIL	
553	22608523/0	1	RINFORZO INF	STIFFENING LOWER	RÉNFORCEMENT INF	VERSTÄRKUNG UNTERE	
554	12728445/0	2	VITE	SCREW	VIS	SCHRAUBE	
555	81002195/0	1	SACCO, TELA	BOX, FABRIC	SAC, TOILE	SACK, TUCK	